

The Devireg™ 530-series

Features:

- Double pole safety breaker
- Low standby consumption
- Sensor Failure Monitoring
- LED indication for fault
- IP 31
- 15 A



The Devireg™ 530-series consists of simple but efficient indoor room thermostats.

The Devireg™ 530-series ensures simple and precise controlling of electrical floor heating in rooms with all kinds of flooring.

Functions:

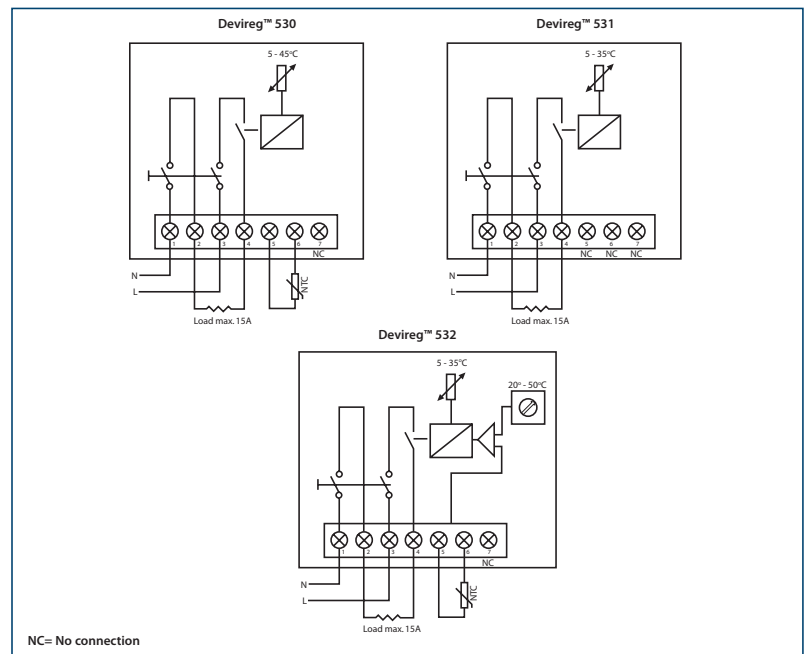
- Controlling the room temperature.
- Frost protection.
- Devireg™ 532:
controlling the room temperature and limiting the floor temperature which makes the Devireg™ 532 suitable for also wooden floors.

Applications:

Indoor room/comfort heating.

- The Devireg™ 530:
Comfort heating
(floor sensor)
Set point dial: Numerical scale
- The Devireg™ 531:
Room heating
(room sensor)
Set point dial: Celsius scale
- The Devireg™ 532:
Comfort heating for
wooden floors
(floor & room sensor)
Set point dial: Celsius scale

Technical data	
Operation voltage	230 VAC +10%/-20%, 50 Hz
Power consumption	Max. 0,25W
Relays	230V ~ 15A cos φ = 0.3 Max. 4A
• Resistive load	
• Inductive load	
Sensing unit	NTC 15 kOhm at 25°C
Sensing values	42 kOhm 18 kOhm 6 kOhm
• 0°C	
• 20°C	
• 50°C	
Hysteresis	+/- 0,2°C
Temperature range	5-45°C 5-35°C 5-35°C, (floor temp. limiter range: 20-50°C)
• Devireg™ 530	
• Devireg™ 531	
• Devireg™ 532	
Ambient temperature	-10° to +30°C
Frost protection	5°C
Sensor Failure Monitoring	The thermostat has a built-in monitoring circuit, which will switch off the heating if the sensor is disconnected or short-circuited.
LED indicator	The system is off The temperature set point is not reached The temperature set point is reached Floor sensor defect
• No light	
• Red light	
• Green light	
• Green light flashing	
IP class	31
Dimensions	85 mm x 85 mm



DEVI A/S

Ulvehavevej 61

DK-7100 Vejle

Tel.: +45 76 42 47 00

Fax: +45 76 42 47 01

www.devi.com